

NOBLELIFT



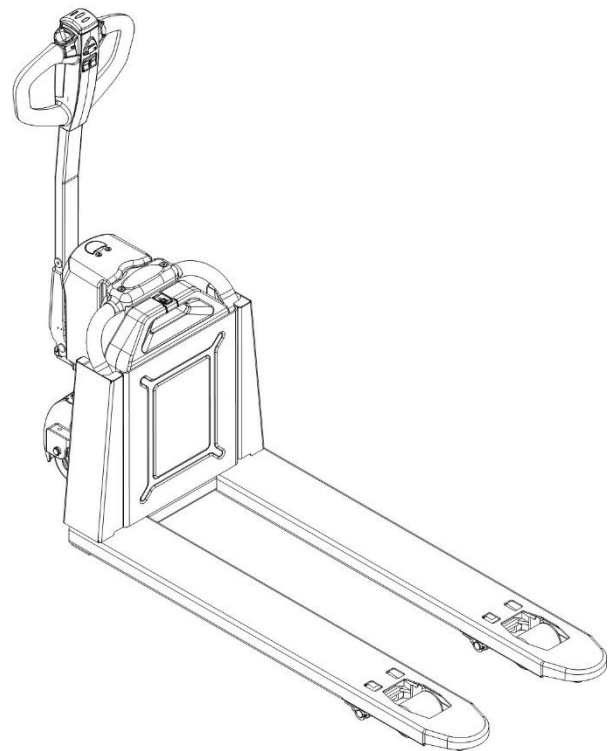
Scan QR Code for More

Service Hotline: 836115

Electric Pallet Truck PTE20Q

PARTS MANUAL

509946020103



Version: V04

Truck Identification Number From:

Parts Manual

PTE20Q-A-PM04EN

Please order spare parts from authorized dealers of Noblelift Intelligent Equipment Co., LTD.

In order to avoid wrong delivery, all the orders for spare parts should specify the following items:

- Truck model, identification number and manufacture year.
- Orders for spare parts of mast, hydraulic transmission unit, steering axle, motor, etc. shall indicate the manufacture number of these parts.
- Codes for Noblelift spare parts are shown in the table of parts manual. Please also pay attention to the description of supply status, order quantity, etc. (check the number listed in "Mark" column of the parts manual).

"Mark" Column:

The unmarked indicates the parts are in short supply cycle.

Number 1: supply as package. Indicating these that parts are small parts and seal parts, which are supplied in package unit and in short supply cycle.

Number 2: supply with constraints. Indicating that these spare parts are not in stock and will be prepared for production after receiving the order from customers, which are in long supply cycle.

Number 3: phasing-out supply. Indicating that these parts will be replaced by new parts due to technical improvements and the current stock will not be available when these parts run out. Please check the description of technical improvements notice.

Number 4: supply as assembly. Indicating that these parts are assembly parts defined by manufacture process, which cannot be supplied as a single part.

Number 5: check other tables.

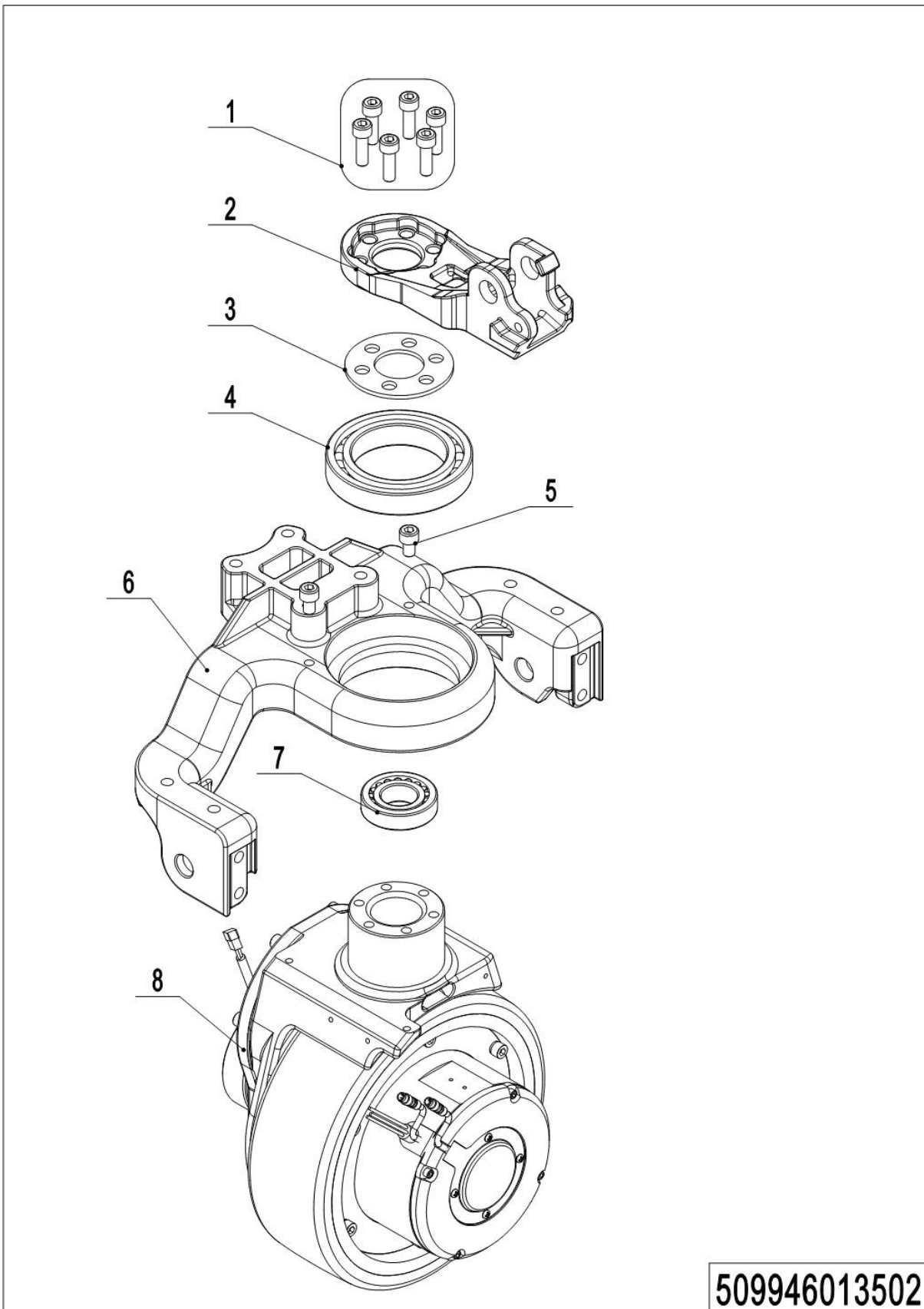
This parts manual is the property of Noblelift and can be shared under the confidential agreement only, Noblelift has the right to claim for compensation of any unauthorized use. Copy without permission is not allowed. Figures in the manual are not limited by the original design. Noblelift Intelligent Equipment Co., LTD reserves the right to improve the products for continuous technology progress.

Table of Contents

Chapter 1: Drive System.....	1
01 Drive Unit Steering(20Q)(509946013502)	1
02 Drive Assembly(20Q)(509946013003).....	3
03 Drive Assembly (YX) (509946013005).....	5
Chapter 2: Hydraulic System.....	7
01 Hydraulic Components(20Q)(509946023503).....	7
Chapter 3: Truck Frame	9
01 Truck Frame (509946038501).....	9
02 Truck Frame (509946038502)	11
02 Truck Frame (509946038502) Continuation.....	13
Chapter 4: Steering System, Braking System, Wheels	15
01 Tiller Unit(509946011007).....	15
02 Tiller(509946011008)	17
03 Tiller(509946011009)	19
04 Load Wheel (Tandem)(509946017001).....	21
05 Caster (509946016504).....	23
06 Caster (509946016503).....	25
07 Caster (509946016502).....	27
08 Caster (509946016501).....	29
Chapter 5: Electrical Parts	31
01 Wire Harness (509946033007)	31
02 Wire Harness (509946033009)	33
03 Charger (509946036501)	35
03 Charger (509946036501) Continuation.....	37
04 Traction Battery (509946037003).....	39
Chapter 6: Others	41
01 Labels and Decals-EU (509946047007)	41
02 Labels and Decals-US (509946047004).....	43
Appendix.....	45
01 Electrical Circuit Diagram (509946045505).....	45
02 Hydraulic Circuit Diagram (508046045502)	46
03 Consumable Parts List.....	47

Chapter 1: Drive System

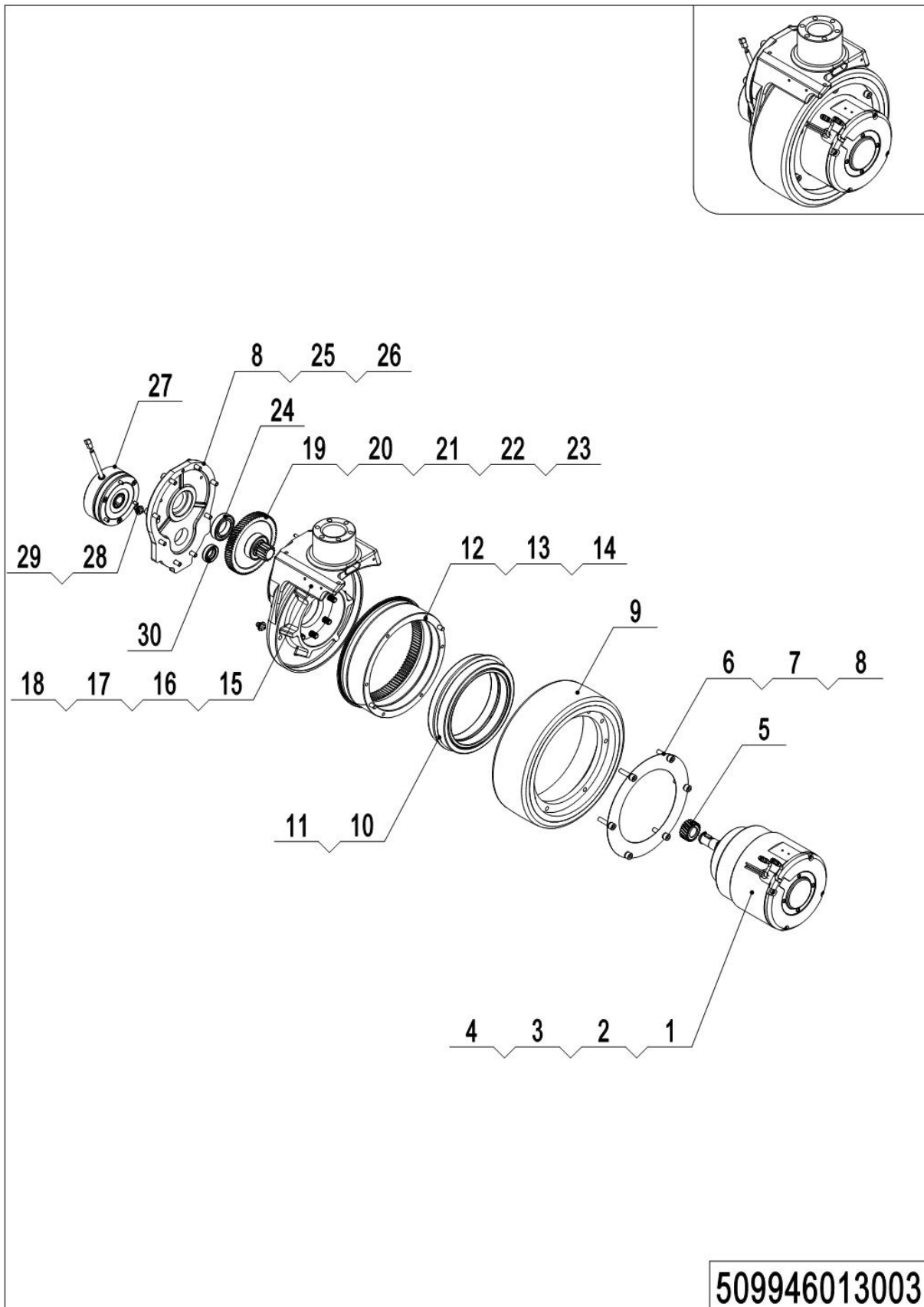
01 Drive Unit Steering(20Q)(509946013502)



01 Drive Unit Steering(20Q)(509946013502)

No.	Item Code	Mark	Item Description	Qty.	Substitute	Note
1	910200200058	1	Screw	6		
2	509913520004		Flange	1		
3	509913520002		Subplate	1		
4	910700200058		Bearing	1		
5	910200200074	1	Screw	2		
6	509913520006		Wheel Mount	1		
7	910700600044		Bearing	1		
8	940900100031	2	Drive Unit	1		220
8	940900100063		Drive Unit	1		210

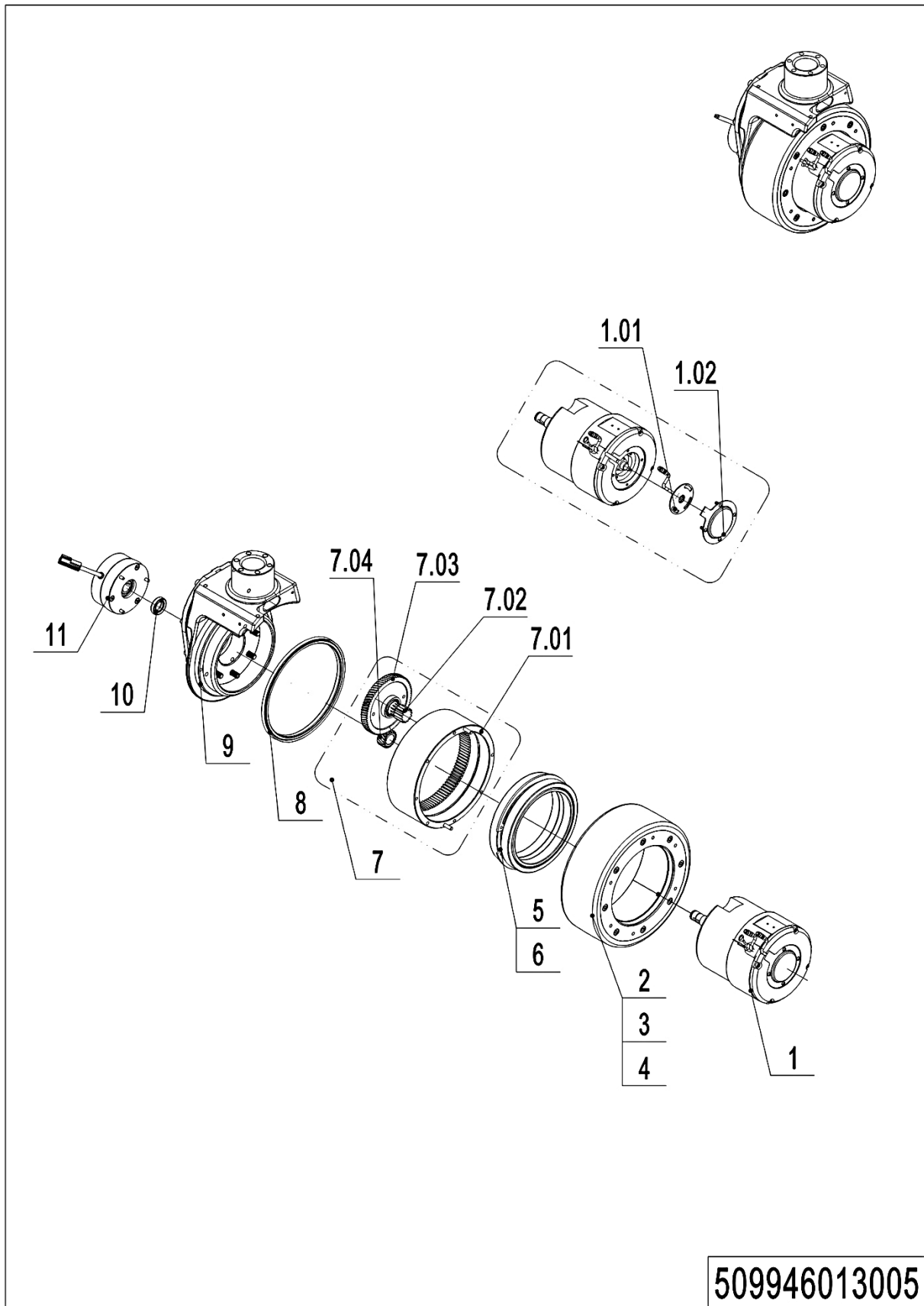
02 Drive Assembly(20Q)(509946013003)



02 Drive Assembly (20Q) (509946013003)

No.	Item Code	Mark	Item Description	Qty.	Substitute	Note
1	961001800001		Motor	1		
2	910600800005		Flat Key	2		
3	910401300006		Circlip	1		
4	910401300007		Circlip	1		
5	961000700006		Gear	1		
6	961001300009		Scraper Seal	1		
7	910200200140		Screw	6		
8	910400500018		Spring Washer	14		
9	961001300010		Wheel	1		
10	910700200044		Bearing	2		
11	910401400023		Circlip	1		
12	961001300008		Gear	1		
13	910600100013		Cylindrical Pin	2		
14	961001300007		Oil Seal	1		
15	961002200001		Gearbox	1		
16	910200200147		Screw	5		
17	910400500019		Spring Washer	5		
18	910600100003		Cylindrical Pin	1		
19	961001300002		Gear	1		
20	961001300005		Gear Shaft	1		
21	910600800006		Flat Key	1		
22	910700200057		Bearing	1		
23	910401300008		Circlip	1		
24	910700200046		Bearing	1		
25	961002200002		Cover	1		
26	910200200139		Screw	8		
27	961002200004		Brake	1		
28	911200100003		Oil Cup	2		
29	910800900010		Bonded Washer	2		
30	961000700012		Oil Seal	1		

1= Supply as package. 2= Supply with constraints. 3= Phasing-out supply. 4= Supply as assembly. 5= Check other tables.

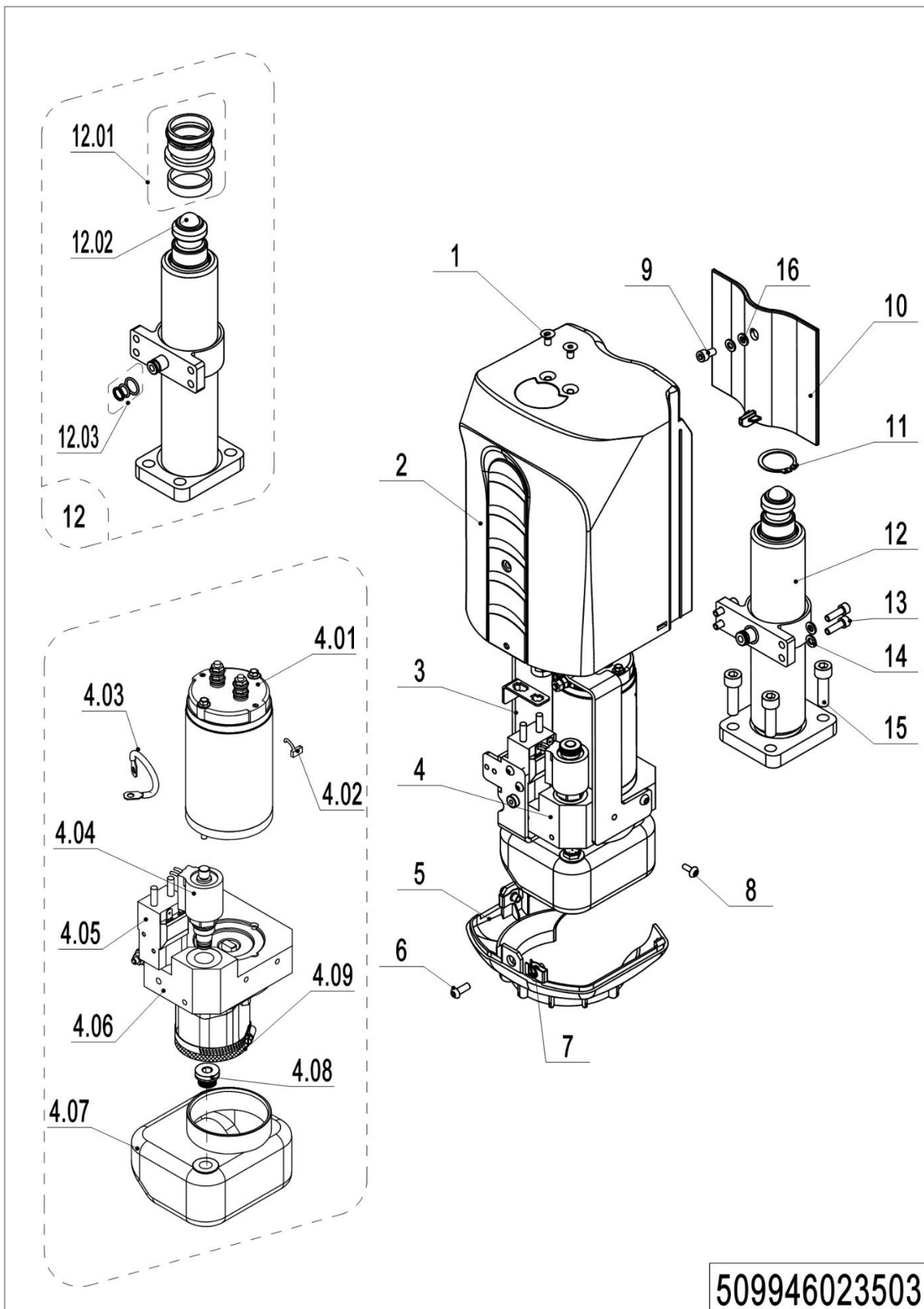
03 Drive Assembly (YX) (509946013005)

03 Drive Assembly (YX) (509946013005)

No.	Item Code	Mark	Item Description	Qty.	Substitute	Note
1	961004300001		Motor	1		
1.01	961001800002		Sensor	1		
1.02	961001800003		Cover	1		
2	961004000009		Wheel	1		
3	961004000011		Oil Seal	1		
4	910200200202		Screw	8		
5	910700200044		Bearing	2		
6	961004000007		Sleeve	1		
7	507798510006		Gear	1		
7.01	961004000006		Gear	1		
7.02	961004000003		Gear Shaft	1		
7.03	961004000002		Gear	1		
7.04	961004000005		Gear	1		
8	961004000010		Oil Seal	1		
9	509998510051		Gearbox	1		
10	961000700012		Oil Seal	1		
11	961002200004		Brake	1		

Chapter 2: Hydraulic System

01 Hydraulic Components(20Q)(509946023503)

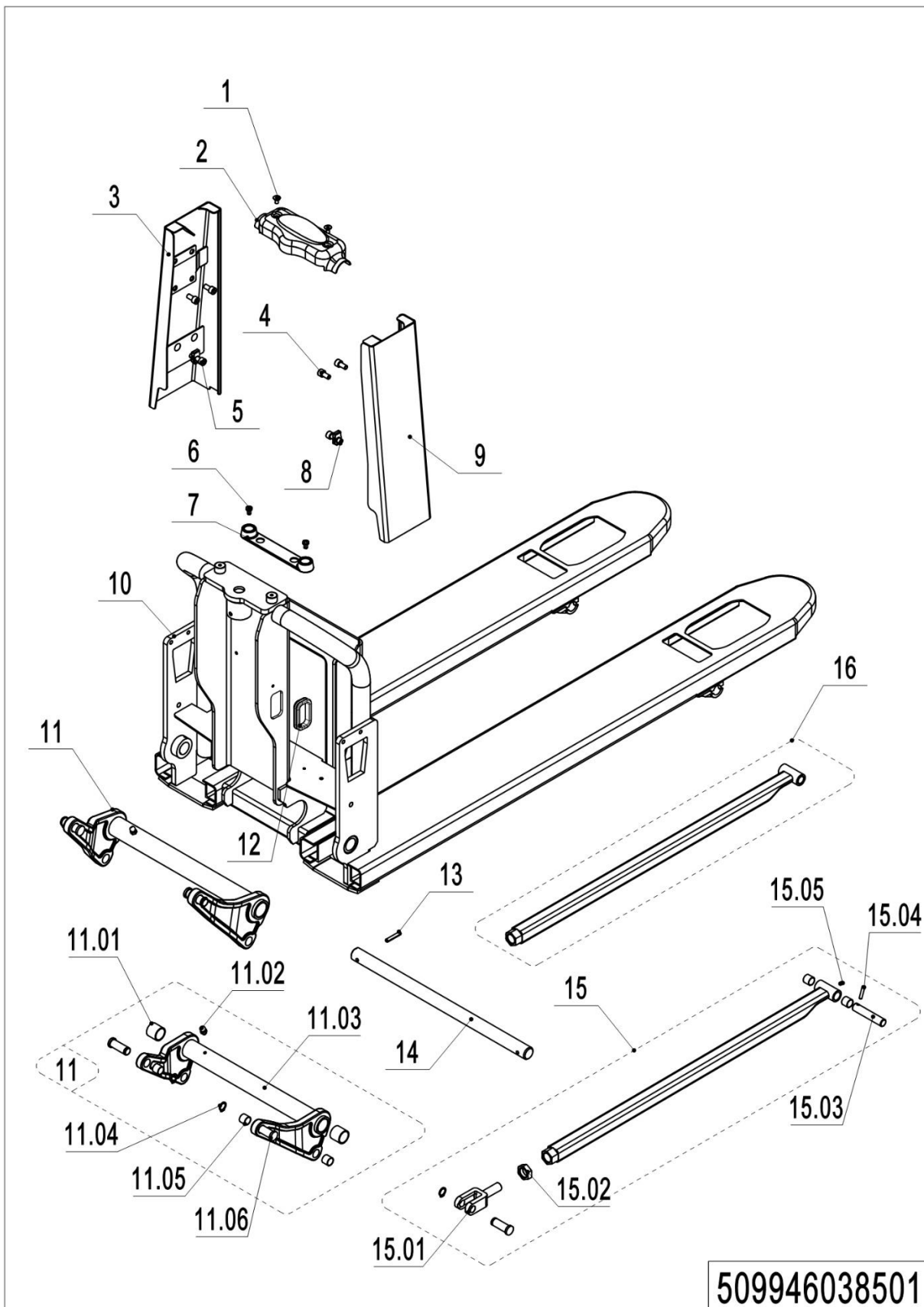


01 Hydraulic Components(20Q)(509946023503)

No.	Item Code	Mark	Item Description	Qty.	Substitute	Note
1	910200400015	1	Screw	2		
2	509924020105		Cover	1		
3	509924010004		Mounting Rack	1		
4	950900100057	2	Pump Unit	1		
4.01	508598510007	2	Motor	1		
4.02	508598520014	2	Carbon Brush	1		
4.03	508598520001	2	Coil	1		YC048DC
4.04	505698520054	2	Magnetic Valve	1		SCV
4.05	508598520011		Switch	1		DK0148B
4.06	508598510008		Gear Pump	1		GBU-F1038
4.07	508598510010		Tank	1		0.4L-TP072A080-V
4.08	508598510009		Filter	1		Z3/8
4.09	508598520005	2	Filter	1		
5	509924020102	1	Shield	1		
6	910200300017	1	Screw	2		
7	940400400005	1	Cage Nut	2		
8	910200300018	1	Screw	3		
9	910200200176	1	Screw	1		black
10	509924020104		Cover	1		
11	910401300017		Circlip	1		
12	509924010001		Cylinder	1		
12.0	509924010005		Seal Kit	1		
12.0	910701100019		Steel Ball	1		
12.0	508598510004		Seal Kit	1		
13	910200200036	1	Screw	4		
14	910400100005	1	Flat Washer	4		
15	910200200075	1	Screw	4		
16	910400500005	1	Spring Washer	2		

Chapter 3: Truck Frame

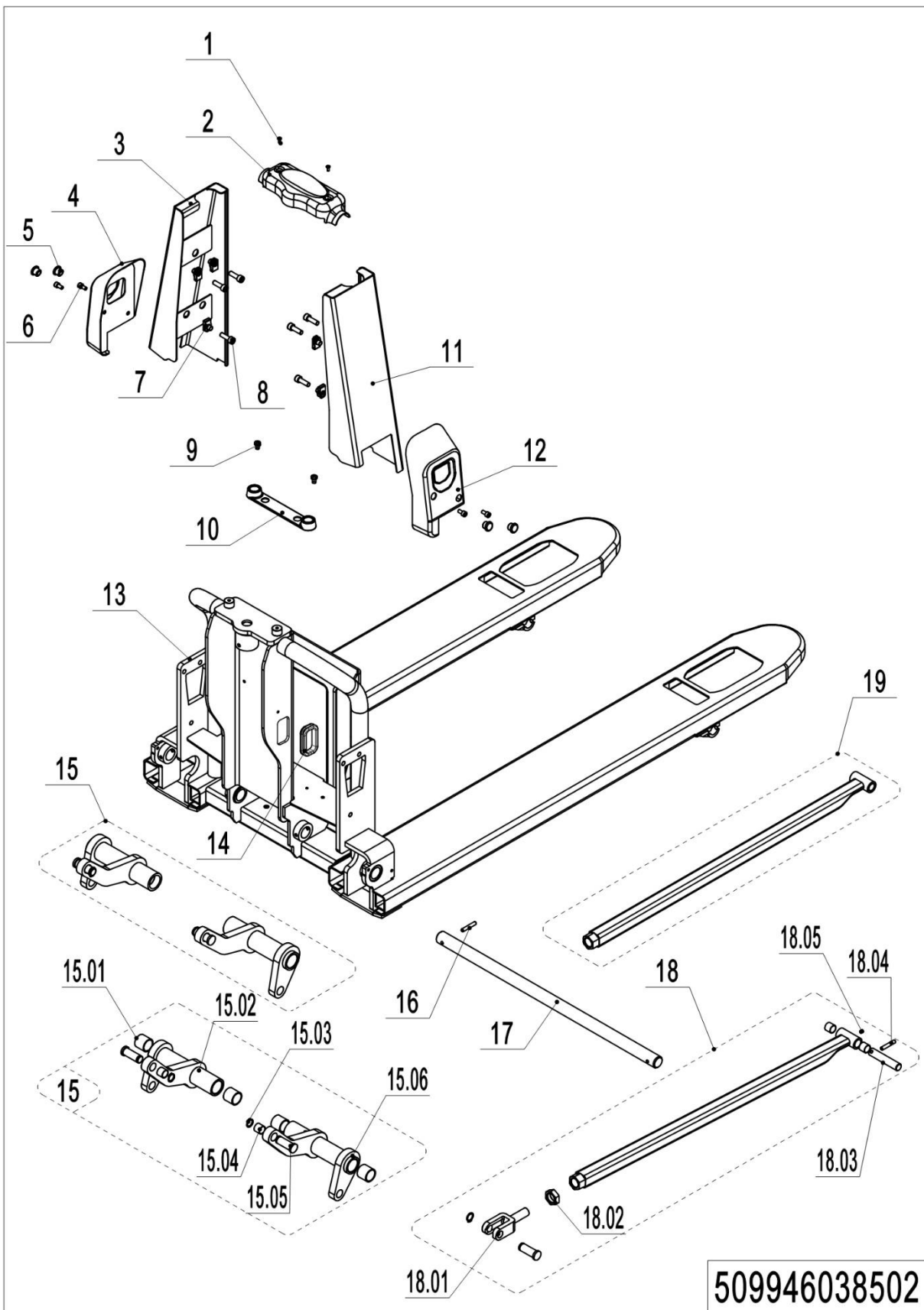
01 Truck Frame (509946038501)



01 Truck Frame (509946038501)

No.	Item Code	Mark	Item Description	Qty.	Substitute	Note
1	910200400015	1	Screw	2		
2	509938520100		Cover	1		
3	509938510011		Side Plate2	1		
4	910200200156	1	Screw	4		
5	910200200157	1	Screw	2		
6	910200500034	1	Screw	2		
7	509938520009		Battery Rack	1		
8	940400400002	1	Cage Nut	2		
9	509938510010		Side Plate1	1		
10	509938510020	2	Chassis (540x1150)	1		
10	509938510024	2	Chassis (540x1220)	1		
11	509998510029		Rise Arm	1		
11.01	940500100097		Bushing	2		
11.02	911200100002		Oil Cup	1		
11.03	509938510016		Rise Arm	1		
11.04	910401300007		Circlip	4		
11.05	940500100083		Bushing	8		
11.06	502338520026		Pin	4		
12	509938520041		Jacket	1		
13	910600400041		Spring Pin	1		
14	508038520027		Axle	1		
15	509998510030		Push Rod Kit (1150)	2		
15	509998510031		Push Rod Kit (1220)	2		
15.01	502338520027		Push Rod Fork	2		
15.02	910300400008	1	Nut	2		
15.03	502338520030		Axle	2		
15.04	910600500002		Spring Pin	2		
15.05	911200100001		Oil Cup	1		
16	509938510002		Push Rod (1150)	2		
16	509938510003		Push Rod (1220)	2		

02 Truck Frame (509946038502)

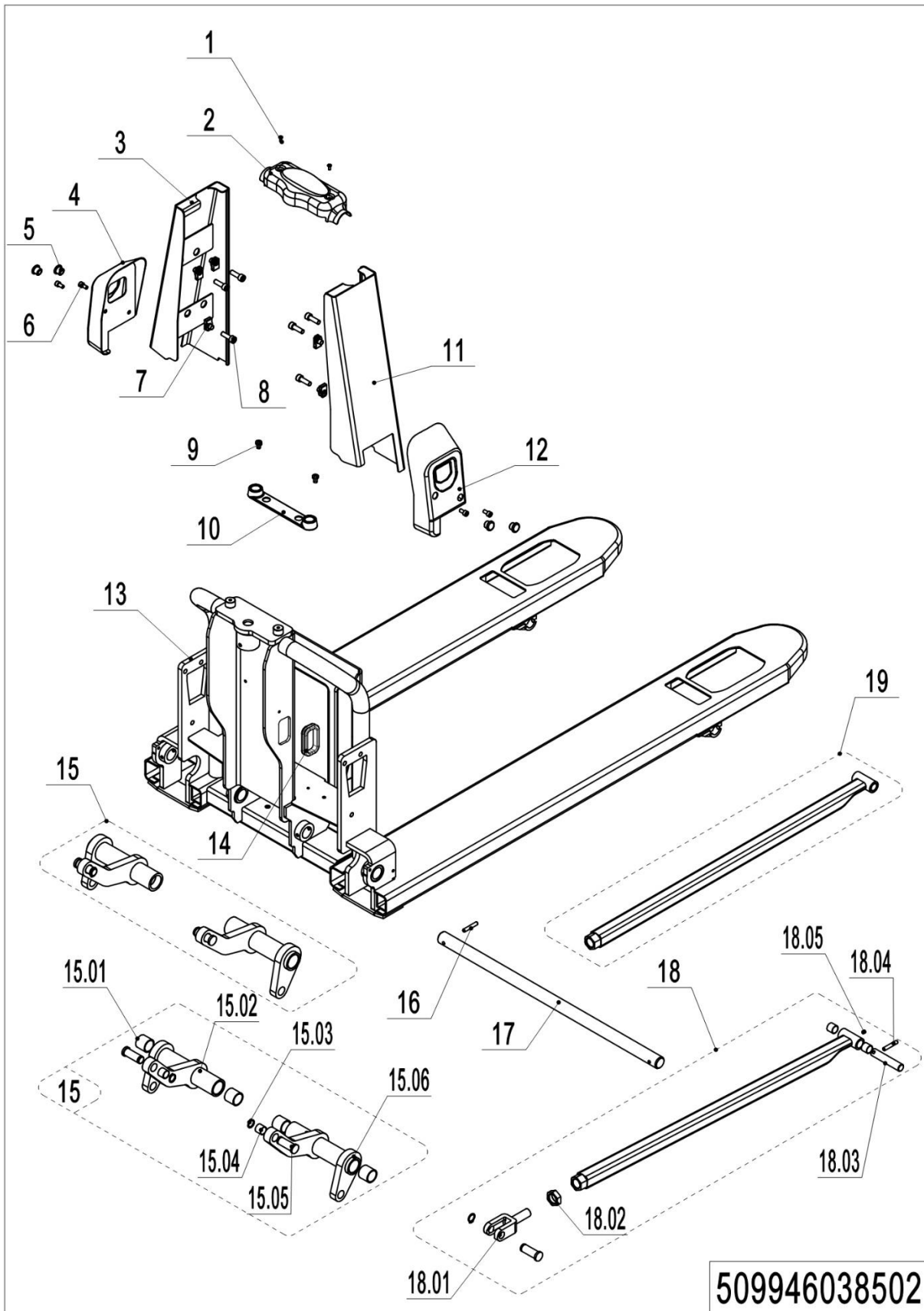


1= Supply as package. 2= Supply with constraints. 3= Phasing-out supply. 4= Supply as assembly. 5= Check other tables.

02 Truck Frame (509946038502)

No.	Item Code	Mark	Item Description	Qty.	Substitute	Note
1	910200400015	1	Screw	2		
2	509938520100		Cover	1		
3	509938510013		Side Plate2	1		
4	509938510104		Side Cover (left 685)	1		
5	509938520103		Rubber Cover	4		
6	910200200033	1	Screw	4		
7	940400400002	1	Cage Nut	6		
8	910200200157	1	Screw	6		
9	910200500034	1	Screw	2		
10	509938520009		Battery Rack	1		
11	509938510012		Side Plate1	1		
12	509938510105		Side Cover (right 685)	1		
13	509938510021	2	Chassis (685x1150)	1		
13	509938510025	2	Chassis (685x1220)	1		
14	509938520041		Jacket	1		
15	509998510000		Rise Arm	1		
15.01	940500100097		Bushing	2		
15.02	509938510014		Rise Arm	1		
15.03	910401300007		Circlip	4		
15.04	940500100083		Bushing	8		
15.05	502338520026		Pin	4		
15.06	509938510015		Rise Arm	1		
16	910600400041		Spring Pin	1		
17	509938520033		Axle	1		
18	509998510030		Push Rod Kit (1150)	2		
18	509998510031		Push Rod Kit (1220)	2		
18.01	502338520027		Push Rod Fork	2		
18.02	910300400008	1	Nut	2		
18.03	502338520030		Axle	2		
18.04	910600500002		Spring Pin	2		
18.05	911200100001		Oil Cup	2		

02 Truck Frame (509946038502) Continuation



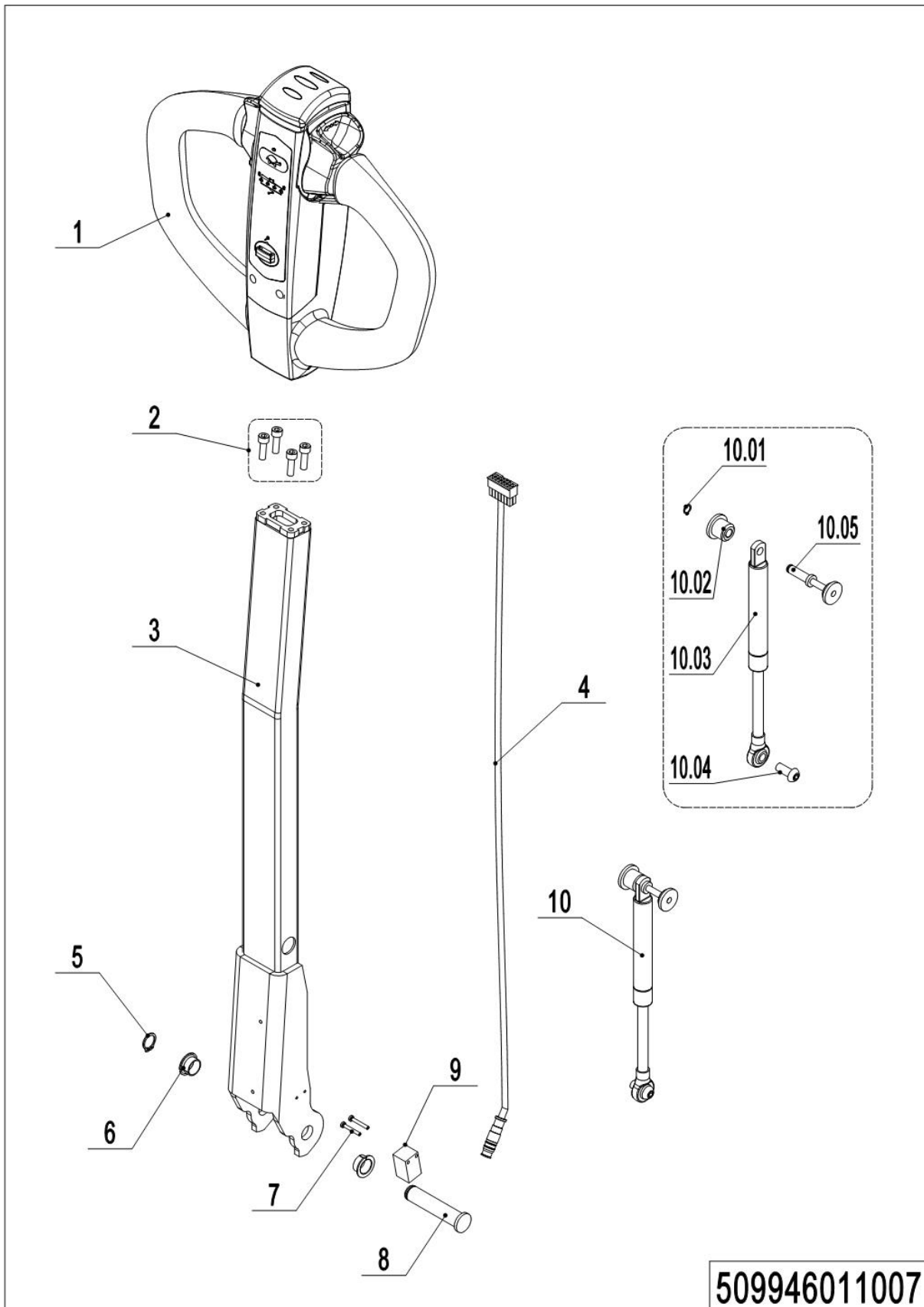
1= Supply as package. 2= Supply with constraints. 3= Phasing-out supply. 4= Supply as assembly. 5= Check other tables.

02 Truck Frame (509946038502) Continuation

No.	Item Code	Mark	Item Description	Qty.	Substitute	Note
19	509938510002		Push Rod (1150)	1		
19	509938510003		Push Rod (1220)	1		

Chapter 4: Steering System, Braking System, Wheels

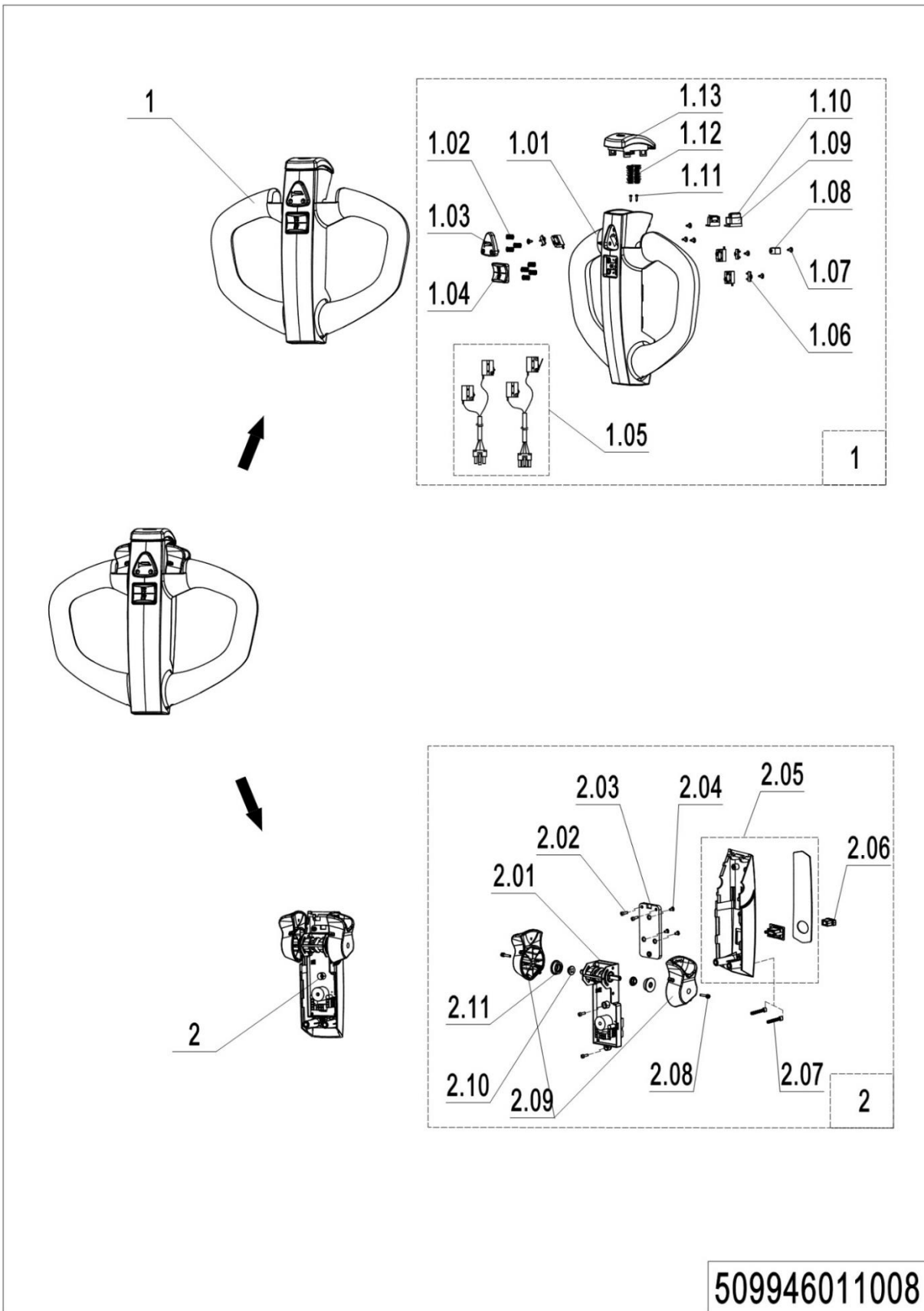
01 Tiller Unit(509946011007)



01 Tiller Unit(509946011007)

No.	Item Code	Mark	Item Description	Qty.	Substitute	Note
1	922100100092	2	Control Handle	1		T410C-3
1	922100100090	2	Control Handle	1		NL20A
2	910200200036	1	Screw	4		
3	509911010002		Tiller	1		
4	509933010007		Wire Harness	1		
5	910401300006		Circlip	1		
6	940500200001		Bushing	2		
7	941101100001	1	Screw	2		
8	508011020004		Pin	1		
9	920200400027		Proximity Switch	1		
10	508098510084		Gas Spring Kit	1		
10.1	910401300001		Circlip	1		
10.2	508011020005		Fixing Base	1		
10.3	508011010001		Gas Spring	1		
10.4	941100100011	1	Screw	1		
10.5	508011010002		Pin	1		

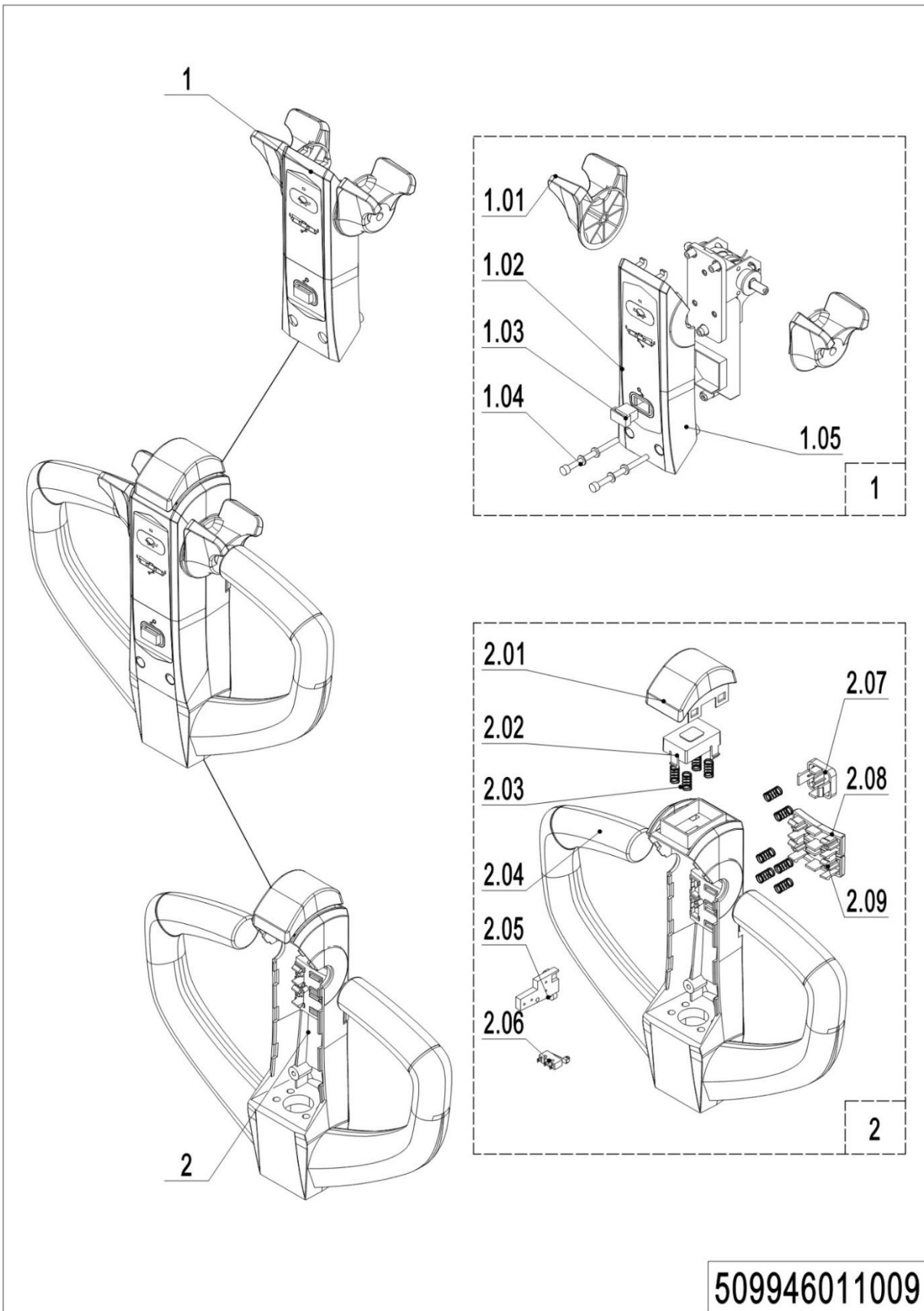
02 Tiller(509946011008)



02 Tiller(509946011008)

No.	Item Code	Mark	Item Description	Qty.	Substitute	Note
1	509998510018	2	Handle Cap Kit	1		
1.01	509998520036	2	Handle Cap	1		
1.02	509998520037		Spring	7		
1.03	509998520038		Button Cap	1		
1.04	509998520039		Button Cap	1		
1.05	509998510019		Microswitch Kits	1		
1.06	509998520045		Locating Plate	3		
1.07	910200600002	1	Screw	7		
1.08	509998520044		Cable Clip	1		
1.09	509998520042		Fixing Mount	1		
1.10	509998520043		Hoop	1		
1.11	910201400001	1	Screw	2		
1.12	509998520041		Spring	1		
1.13	509998520040		Switch	1		
2	509998510037	2	Handle Cap Kit	1		
2.01	509998520046		Accelerator	1		
2.02	910200400004	1	Screw	4		
2.03	509998520047		Fixing Plate	1		
2.04	910200500019	1	Screw	3		
2.05	509998510033		Handle Cap Kit	1		
2.06	509998520048		key	2		
2.07	910200200030	1	Screw	2		
2.08	910200200004	1	Screw	2		
2.09	509998510034		Traction lever	1		
2.10	509998520049		Sleeve	2		
2.11	509998520050		Spacer Bush	2		

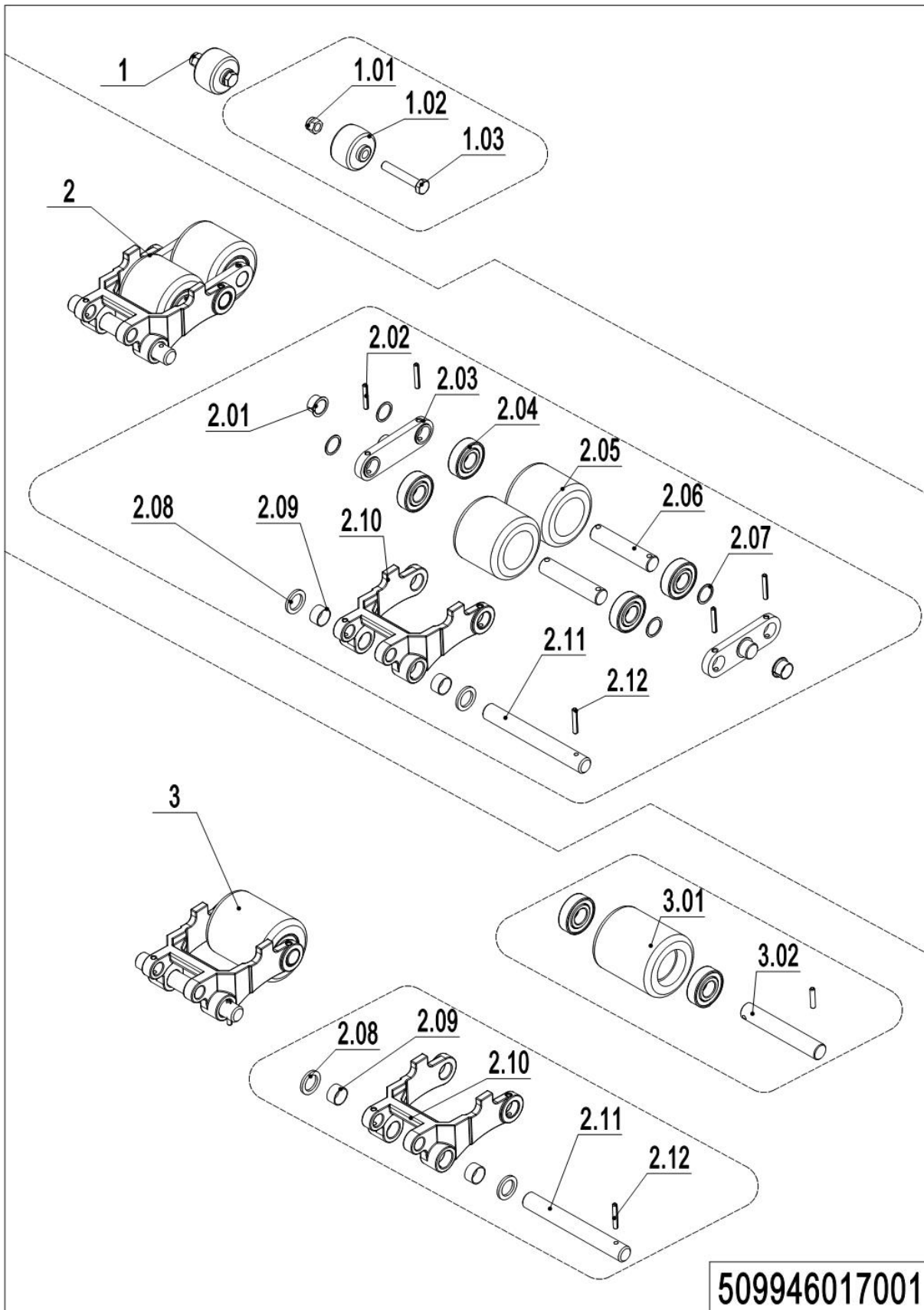
03 Tiller(509946011009)



03 Tiller(509946011009)

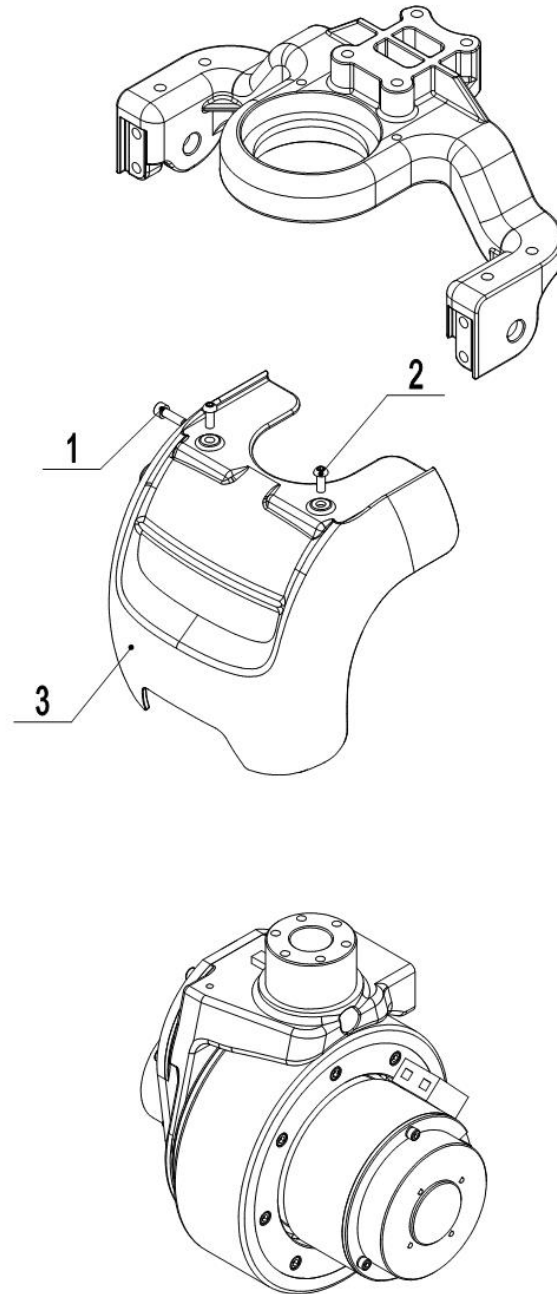
No.	Item Code	Mark	Item Description	Qty.	Substitute	Note
1	509998510035	2	Handle Cap Kit	1		
1.01	509998520059		Dial Key	1		
1.02	509998520060		Handle Cap Kit	1		
1.03	509998520024		Magnetic clasp	1		
1.04	910200200030	1	Screw	2		M5*50
1.05	509998520025	2	Cover	1		
2	509998510016		Handle Cap	1		
2.01	509998520027		Button Cap	1		
2.02	509998520028		Cover	1		
2.03	509998520029		Spring	1		Ø 0.6* Ø 8.7*16
2.04	509998520030	2	Control Handle body	1		
2.05	509998520031		Wire Harness	1		
2.06	509998520032		Wire Harness	1		
2.07	509998520033		Button Cap	1		
2.08	509998520034		Button Cap	1		
2.09	509998520035		Button Cap	1		

04 Load Wheel (Tandem)(509946017001)



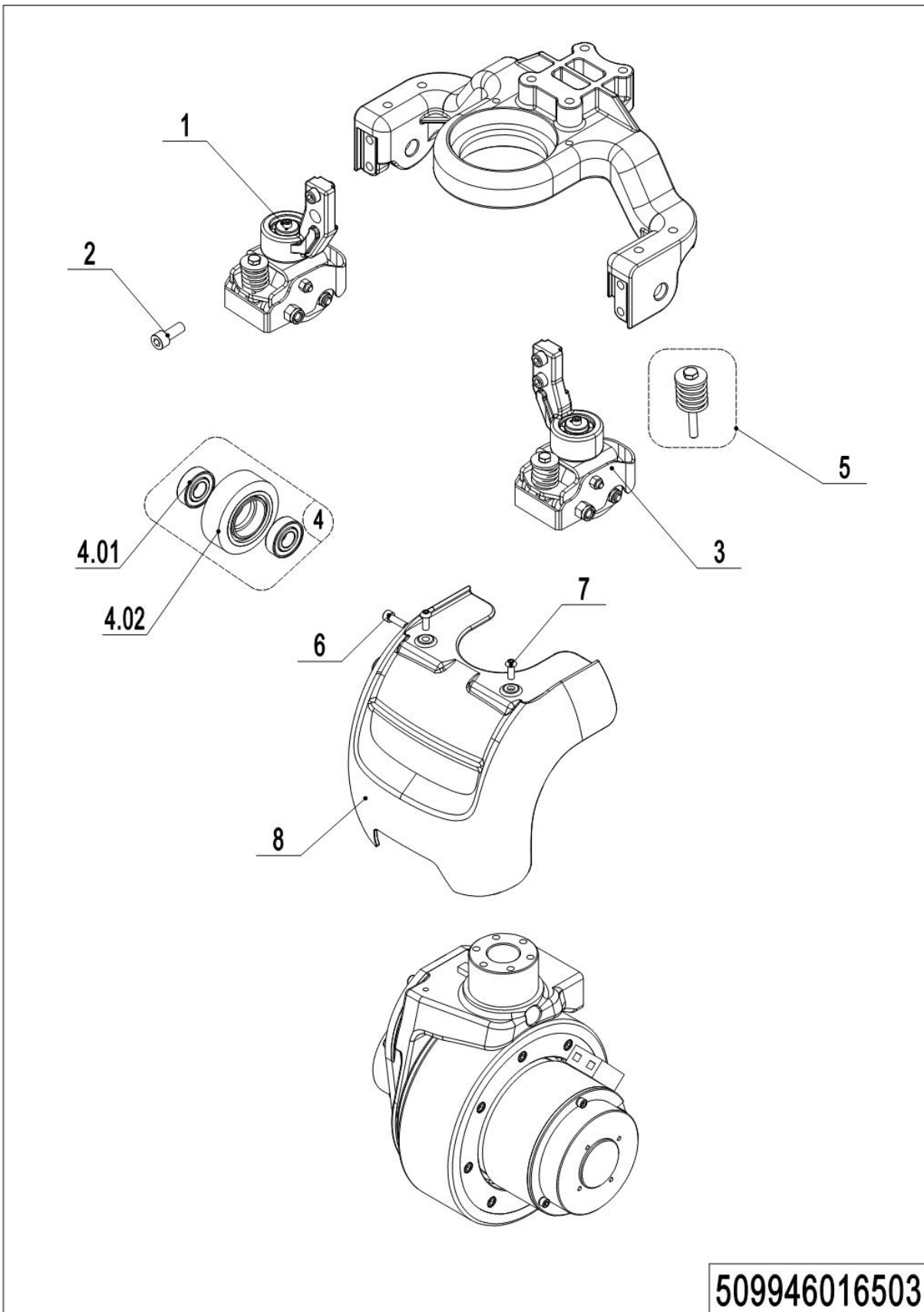
04 Load Wheel (Tandem)(509946017001)

No.	Item Code	Mark	Item Description	Qty.	Substitute	Note
1	502398510003		Pulley components	2		
1.01	910300500005	1	Nut	2		
1.02	505638520039		Running Pulley	2		
1.03	941100200019	1	Bolt	2		
2	509998510004		Wheel	2		
2.01	940500200038		Bushing	4		
2.02	910600500004	1	Spring Pin	8		
2.03	508017020001		Plate	4		
2.04	910700200019		Bearing	8/4		
2.05	940300300047		Wheel Φ 80x70	4		
2.06	502317020001		Axle	4		
2.07	940600500013		Washer	8/4		double /Single
2.08	502338520033		Roller	4		
2.09	940500100088		Bushing	4		
2.10	508038520110		Riser	2		
2.11	502338520031		Pin	2		
2.12	910600400025		Spring Pin	2		
3	509998510005	2	Wheel	2		
3.01	940300300023		Wheel Φ 80x93	2		
3.02	301017020001		Axle	2		

05 Caster (509946016504)**509946016504**

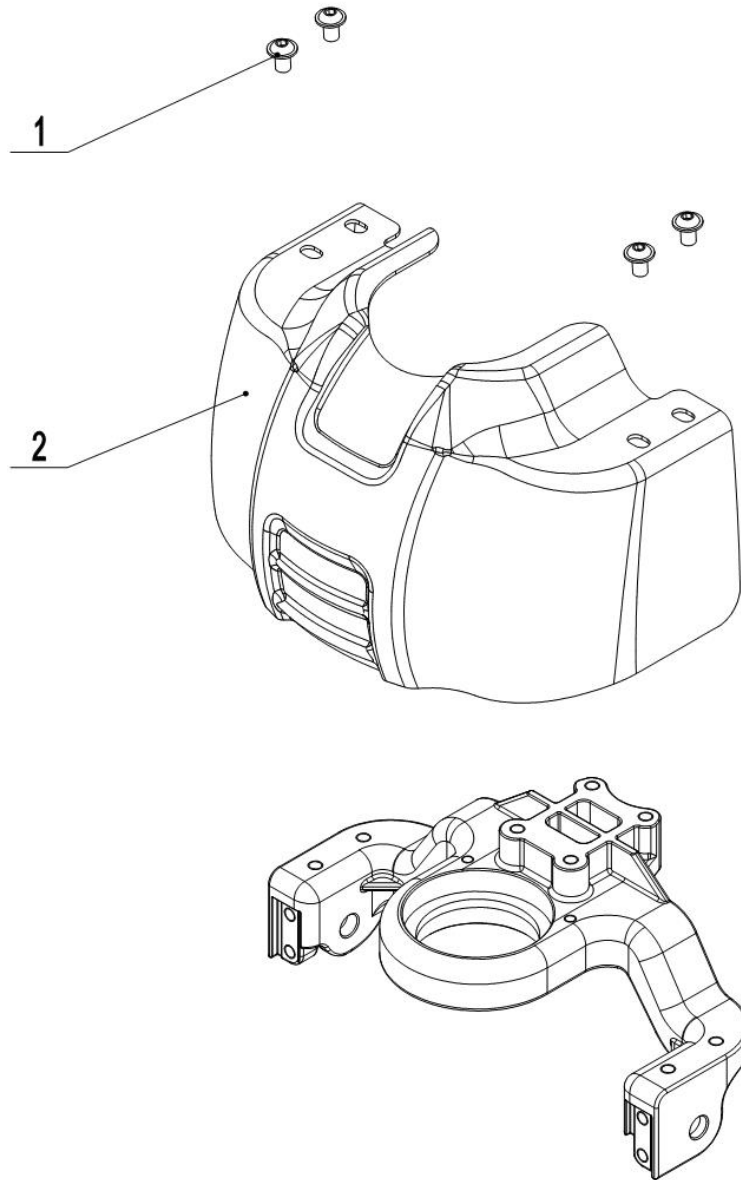
05 Caster (509946016504)

No.	Item Code	Mark	Item Description	Qty.	Substitute	Note
1	910200200036	1	Screw	1		
2	910200300018	1	Screw	2		
3	509916520002		Apron	1		

06 Caster (509946016503)

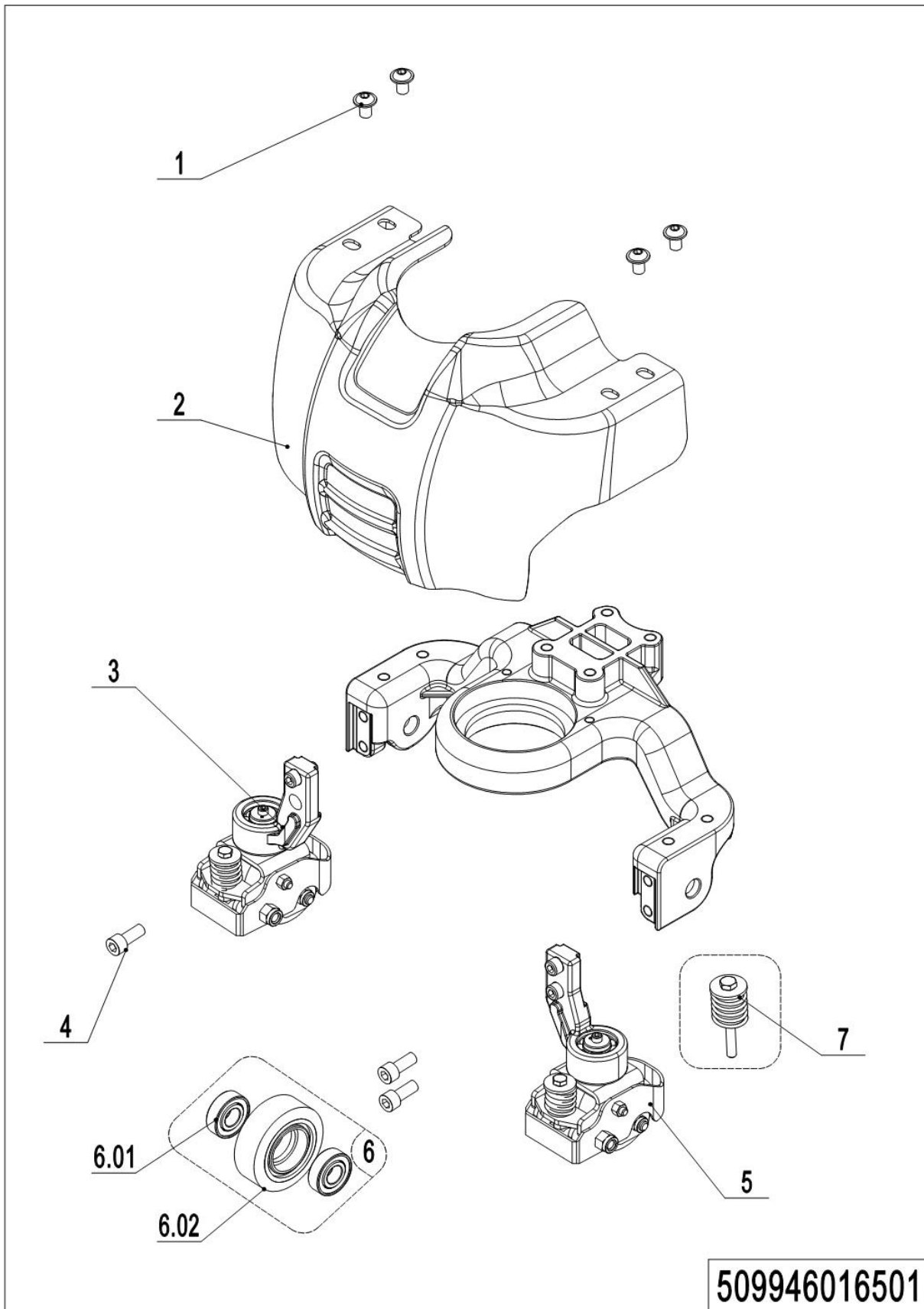
06 Caster (509946016503)

No.	Item Code	Mark	Item Description	Qty.	Substitute	Note
1	508016510002		Caster Assembly	1		
2	910200200076	1	Screw	4		
3	508016510005		Caster Assembly	1		
4	502398510015	2	Load Wheel Kit	2		
4.01	910700200018		Bearing	4		
4.02	940300300017		Wheel Φ 80x30	2		
5	508098510047		Spring Components	2		
6	910200200036	1	Screw	1		
7	910200300018	1	Screw	2		
8	509916520002		Apron	1		

07 Caster (509946016502)**509946016502**

07 Caster (509946016502)

No.	Item Code	Mark	Item Description	Qty.	Substitute	Note
1	941100100005	1	Screw	4		
2	509916520000		Apron	1		

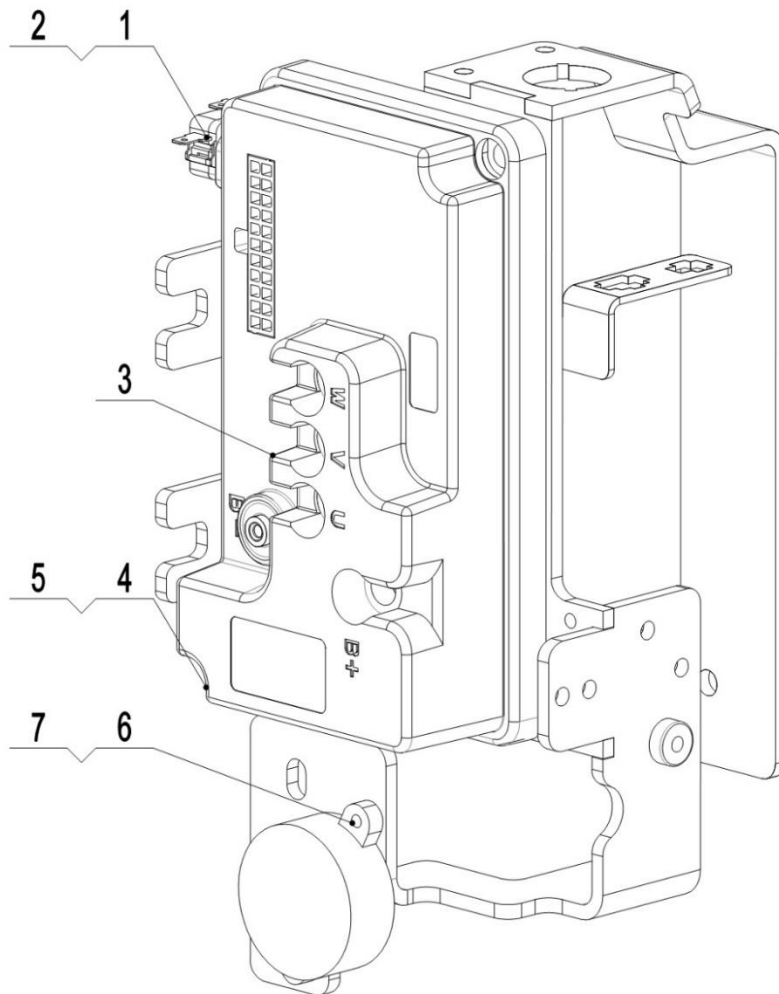
08 Caster (509946016501)

08 Caster (509946016501)

No.	Item Code	Mark	Item Description	Qty.	Substitute	Note
1	941100100005	1	Screw	4		
2	509916520001		Apron	1		
3	508016510002		Caster Assembly	1		
4	910200200076	1	Screw	4		
5	508016510005		Caster Assembly	1		
6	502398510015	2	Load Wheel Kit	2		
6.01	910700200018		Bearing	4		
6.02	940300300017		Wheel Φ 80x30	2		
7	508098510047		Spring Components	2		

01 Wire Harness (509946033007)

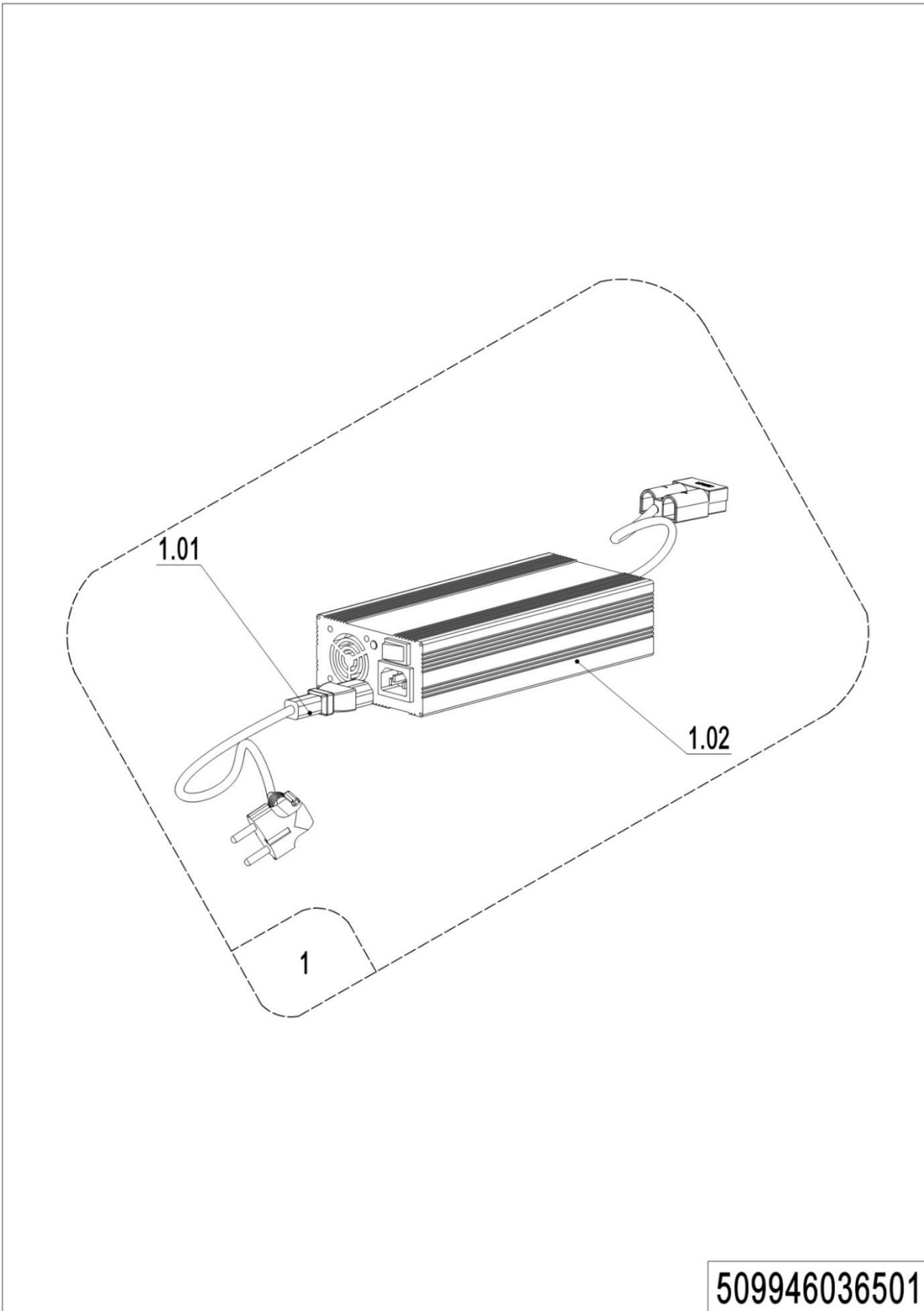
No.	Item Code	Mark	Item Description	Qty.	Substitute	Note
1	509933010012		Cables	1		
2	509933010017		Wire Harness	1		
3	509933010038		Wire Harness	1		
4	509933010014		Cables	1		
5	509933010013		Cables	1		
6	509933010018		Cables	1		
7	509933010002		Cables	1		

02 Wire Harness (509946033009)**509946033009**

02 Controller (509946033009)

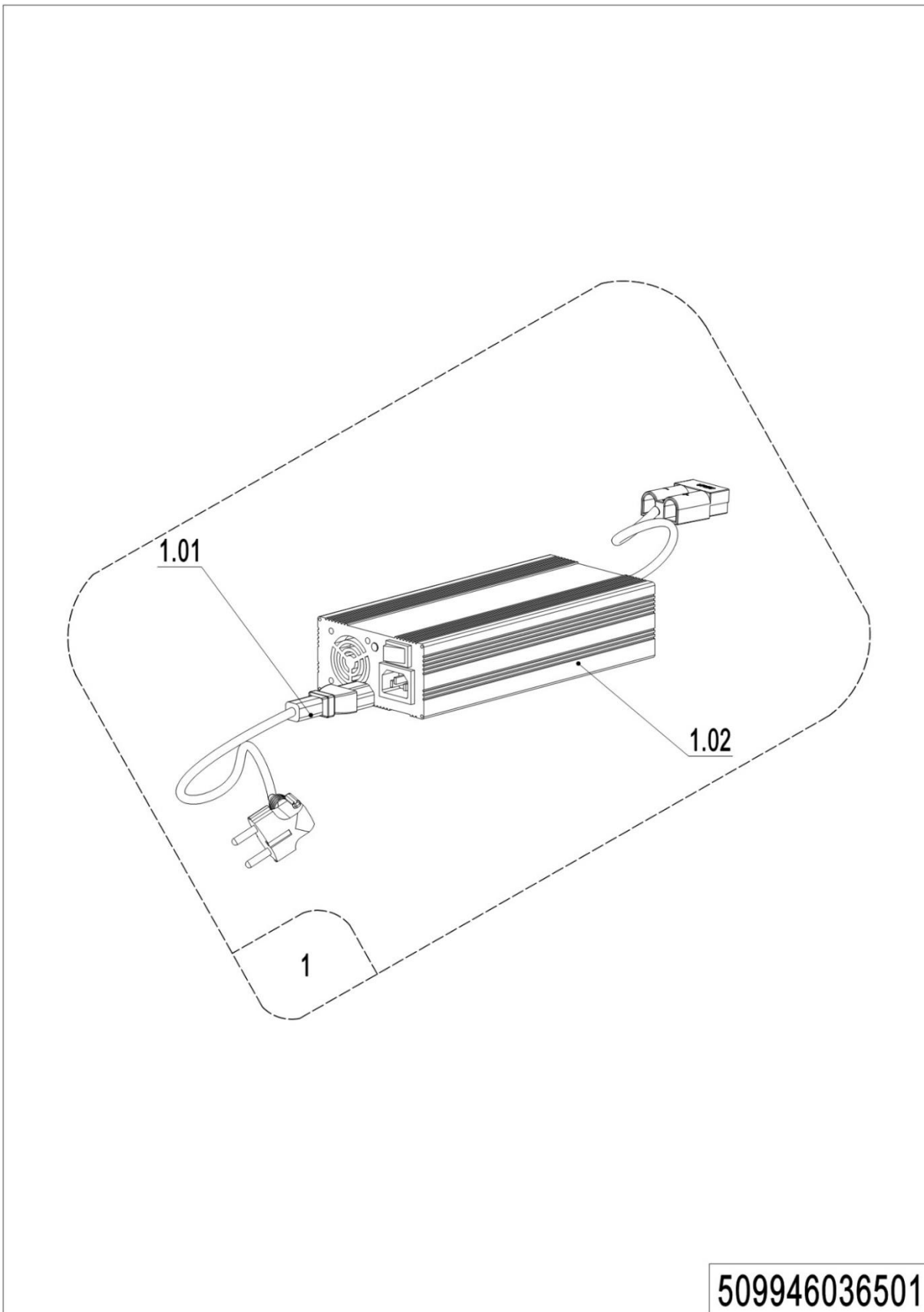
No.	Item Code	Mark	Item Description	Qty.	Substitute	Note
1	920200300012		Microswitch	1		
2	910200200004	1	Screw	2		
3	921400100130		Controller	1		
4	910200200023	1	Screw	2		
5	910400500017	1	Spring Washer	2		
6	910200200004		Screw	1		
7	910200300002	1	Screw	2		

03 Charger (509946036501)



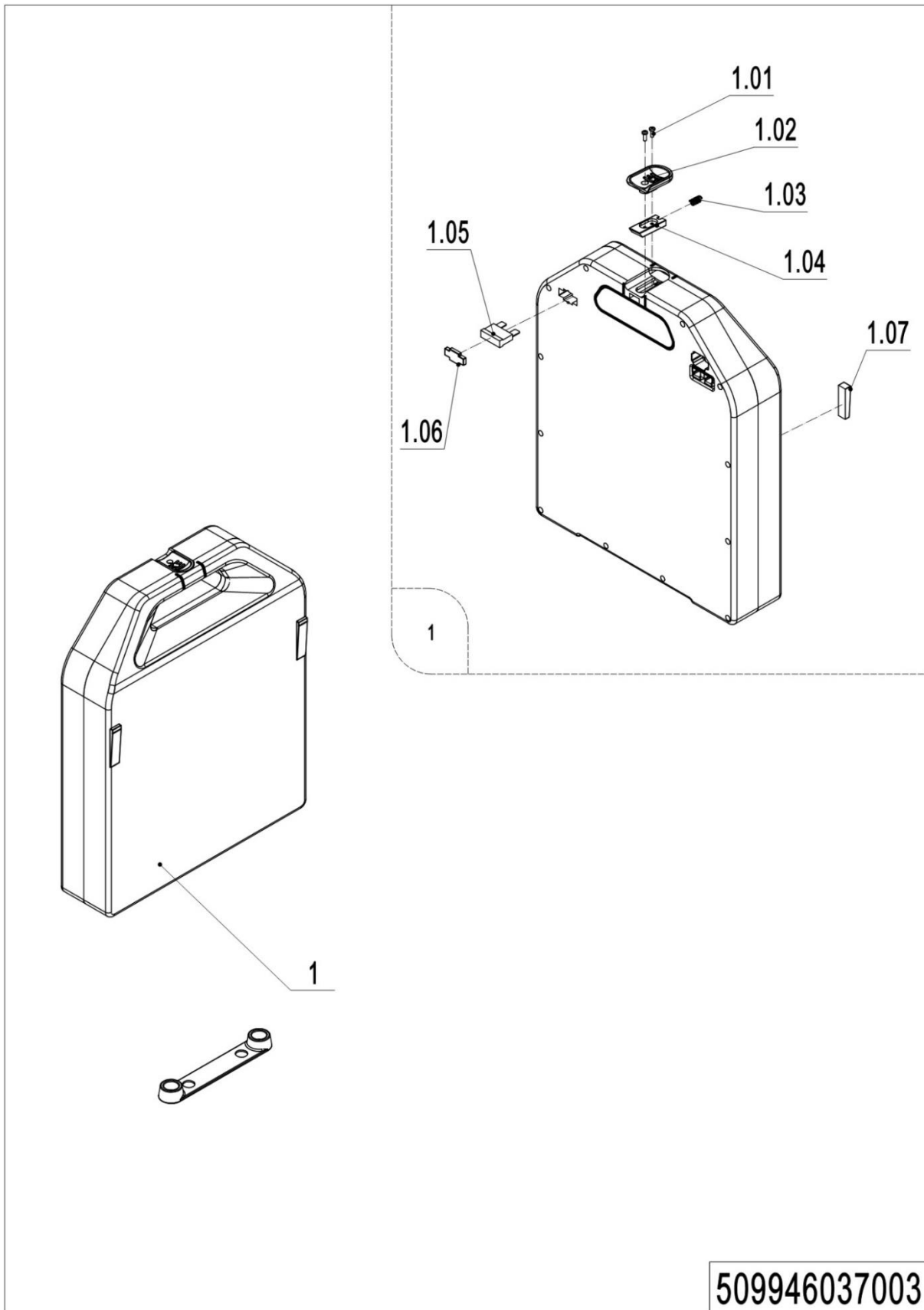
03 Charger (509946036501)

No.	Item Code	Mark	Item Description	Qty.	Substitute	Note
1	921000200626		Charger 48V5A (Asia)	1		
1	509936510040		Charger 48V5A (ENG)	1		
1	509936510041		Charger 48V5A (US)	1		
1	509936510042		Charger 48V5A (EU)	1		
1	509936510043		Charger 48V5A (AUS)	1		
1	509936510044		Charger 48V5A (ITA)	1		
1	509936510045		Charger 48V5A (SWE)	1		
1	509936510046		Charger 48V5A (ISR)	1		
1	509936510047		Charger 48V5A (BRA)	1		
1	509936510048		Charger 48V5A (ARG)	1		
1	509936510020		Charger 48V9A (Asia)	1		
1	509936510022		Charger 48V9A (ENG)	1		
1	509936510023		Charger 48V9A (US)	1		
1	509936510024		Charger 48V9A (EU)	1		
1	509936510025		Charger 48V9A (AUS)	1		
1	509936510026		Charger 48V9A (ITA)	1		
1	509936510027		Charger 48V9A (SWE)	1		
1	509936510028		Charger 48V9A (ISR)	1		
1	509936510029		Charger 48V9A (BRA)	1		
1	509936510030		Charger 48V9A (ARG)	1		
1.01	921500200050		Power Cord (ARG)	1		
1.01	921500200024		Power Cord (AUS)	1		
1.01	921500200049		Power Cord (BRA)	1		
1.01	921500200023		Power Cord (USA)	1		
1.01	921500200022		Power Cord (EU)	1		
1.01	921500200026		Power Cord (SWE)	1		
1.01	921500200028		Power Cord (ISR)	1		
1.01	921500200025		Power Cord (ITA)	1		
1.01	921500200021		Power Cord (Asia)	1		
1.01	921500200027		Power Cord (ENG)	1		

03 Charger (509946036501) Continuation

03 Charger (509946036501) Continuation

No.	Item Code	Mark	Item Description	Qty.	Substitute	Note
1.02	921000200627		Charger SS48V5A (EU)	1		
1.02	921000200628		Charger SS48V5A (US)	1		
1.02	921000200588		Charger SS48V9A (Asia)	1		
1.02	921000200586		Charger SS48V9A (EU)	1		
1.02	921000200587		Charger SS48V9A (US)	1		

04 Traction Battery (509946037003)**509946037003**

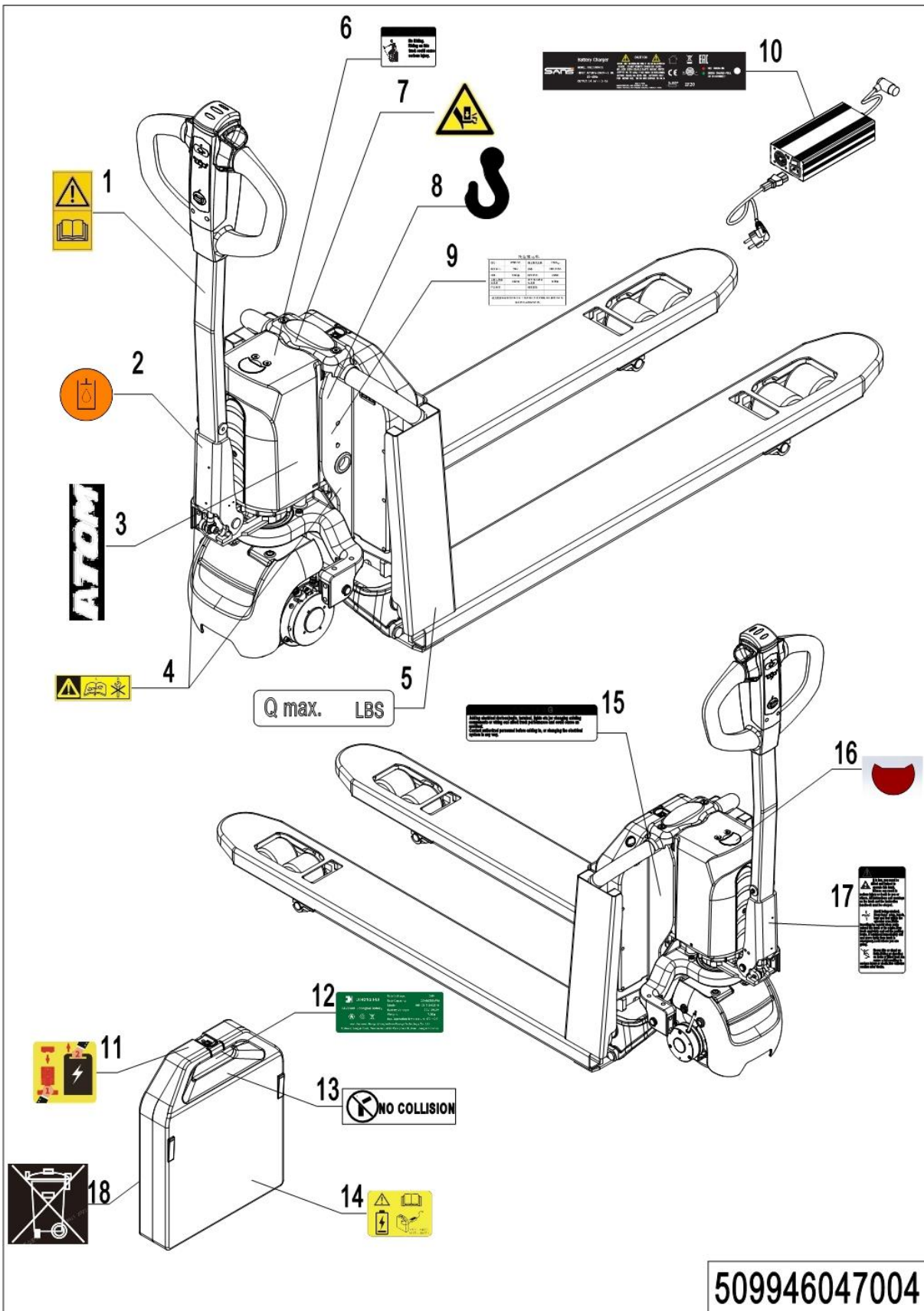
04 Traction Battery (509946037003)

No.	Item Code	Mark	Item Description	Qty.	Substitute	Note
1	509937010017		Li 48V20Ah	1		XNL
1.01	910200500011	1	Screw	2		
1.02	508098520022	2	Plastic Handle	1		
1.03	508098520024	2	Spring	1		
1.04	508098520023	2	Fixing Mount	1		
1.05	920100200006		Fuse	1		
1.06	508098520021	2	waterproof plug	1		
1.07	509998520000		Stop Block	2		

01 Labels and Decals-EU (509946047007)

No.	Item Code	Mark	Item Description	Qty.	Substitute	Note
1	941200300002		Label	1		
2	509947020006		Label	1		
3	941200300003		Label	1		
4	509947020001		Label	1		
5	508047020004		Label	2		
6	941200100003		Label	2		
7	508047020007		Label	1		
8	941200300001		Label	2		
9	509947520001		Truck data plate	1		
10	941200200010		Label	2		
11	509947020002		Label	1		
12	509947020007		Label	1		
13	508047020002		Label	1		
14	509947020004		Label	1		
15	509947020005		Label	1		
16	508047020015		Label	1		

02 Labels and Decals-US (509946047004)

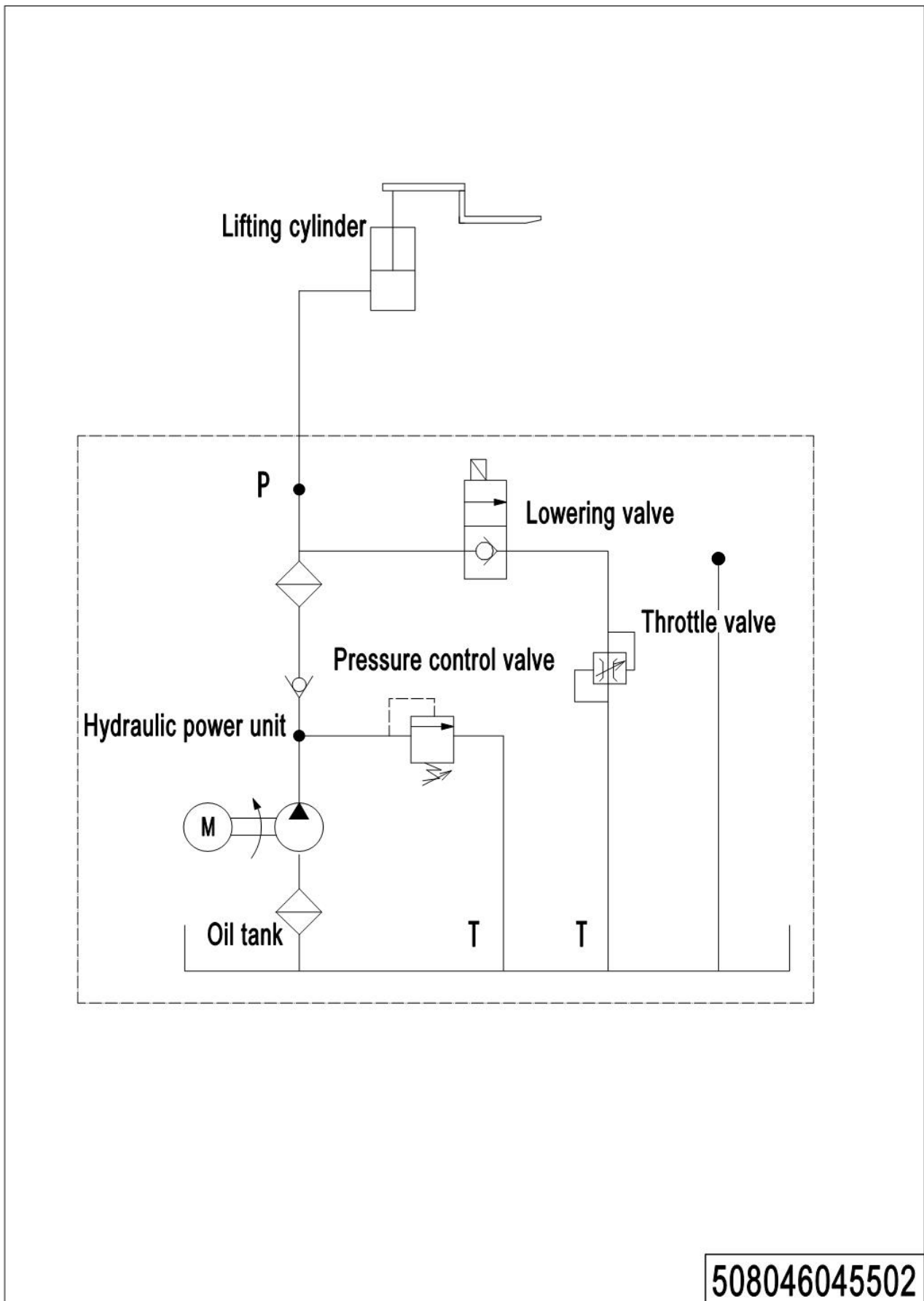


1= Supply as package. 2= Supply with constraints. 3= Phasing-out supply. 4= Supply as assembly. 5= Check other tables.

02 Labels and Decals-US (509946047004)

No.	Item Code	Mark	Item Description	Qty.	Substitute	Note
1	941200300002		Label	1		
2	941200300003		Label	1		
3	509947020001		Label	1		
4	508047020004		Label	2		
5	941200200035		Label	2		
6	941200100011		Label	1		
7	508047020007		Label	1		
8	941200300001		Label	2		
9	509947520001		Truck data plate	1		
10	509947020005		Label	1		
11	509947020002		Label	1		
12	509947020007		Label	1		
13	508047020002		Label	1		
14	509947020004		Label	1		
15	941200100010		Label	1		
16	509947020006		Label	1		
17	941200100009		Label	1		
18	508047020015		Label	1		

02 Hydraulic Circuit Diagram (508046045502)



03 Consumable Parts List

No.	Item Code	Item Description	Qty.	Chapter/ Section/ Number
1	910700200058	Bearing	1	Chapter1/01/4
2	910700600044	Bearing	1	Chapter1/01/7
3	961001300010	Wheel	1	Chapter1/02/9
4	910700200044	Bearing	2	Chapter1/02/10
5	910700200057	Bearing	1	Chapter1/02/22
6	910700200046	Bearing	1	Chapter1/02/24
7	508098510018	Seal Kit	1	Chapter2/01/12. 01
8	508598510004	Seal Kit	1	Chapter2/01/12. 03
9	940500100097	Bushing	2	Chapter3/01/11. 01Chapter2/02/15. 01
10	940500100083	Bushing	8	Chapter3/01/11. 05Chapter2/02/15. 04
11	940500200001	Bushing	2	Chapter4/01/06
12	508011010001	Gas Spring	1	Chapter4/01/10. 3
13	940500200038	Bushing	4	Chapter4/04/2. 01
14	910700200019	Bearing	8/4	Chapter4/04/2. 04
15	940300300047	Wheel	4	Chapter4/04/2. 05
16	940500100088	Bushing	4	Chapter4/04/2. 09
17	940300300023	Wheel Φ 80x93	2	Chapter4/04/3. 01
18	910700200018	Bearing	4	Chapter4/06/4. 01Chapter4/08/6. 01
19	940300300017	Wheel Φ 80x30	2	Chapter4/06/4. 02Chapter4/08/6. 02
20	920100200006	Fuse	1	Chapter 5/04/1. 05